



SATURNO
RANGE



TOUCHSCALE 22I

Stainless steel hanging PC scale
in with printer and 15" touch screen
and 12" rear customer display

**MORE COMPACT
STAINLESS STEEL
POWER AND STRENGTH
60MM PRINTER
LINUX / WINDOWS**

Model
Hanging TouchScale 22I

CERTIFIED BY GRUPO EPELSA SLU



grupoepelsa.com



Scale Hangig 22I TouchScale

NEW TouchScale 22I

The new stainless steel PC TouchScale 22I scale is the perfect weighing tool for all types of retail shops. It saves counter space thanks to its hanging installation without losing any of the functionalities of a counter scale.

Its compact and lightweight construction makes the TouchScale 22I the perfect alternative to other hanging scales.

It has a 15" touch screen and a 12" rear customer display, where images, videos, playlist, cross advertising, etc. can be configured.

It has customisable working modes:

- Sales
- Packaging
- Self-service
- POS,etc.

Its fast 60mm printer and extremely easy maintenance make it an all-rounder for any busy supermarket.

Options

- » Stainless steel shallow, deep and semi-deep plate (31 cm diameter) available.
- » Wi-Fi
- » 4 Gb RAM
- » Telescopic kit for hanging scales
- » 360° bushing for hanging scales
- » Scanner kit for hanging scales



COMPATIBILITY

EASY SHOP SYSTEM
NAUTILUS (CLOUD PLATFORM)
ETAG (ELECTRONIC TAGS)
SMART CASH DRAWERS

Characteristics

Type	Hanging scales
Material	Stainless steel
Installation	hanging
Displays	15" touch screen user / 12" rear customer display
Printing	Thermal printer 60mm
O.S..	Linux Ubuntu. Windows.available
Connections	2 x external USB and RS232 port.
Communications	Ethernet (Wi-Fi option)
Capacities	15kg / 5 gr
Dimensions	710 x 354 x 170 mm

Generalities

Discover Epelsa's revolutionary hanging PC scale a powerful all-in-one solution that takes your business to the next level.

With its 15" touch screen and 12" client display, smart thermal printer, Intel Celeron processor, and SSD storage, you'll experience exceptional performance on busy work days.

Customise it to your needs with versatile work modes, unlimited data management and impactful advertising. Creation of advertising campaigns (playlists)

The 221 complies with European standards, offers multiple languages and allows easy remote maintenance. With automatic updates and a wide range of functions, this PC scale is the key to success in your business.



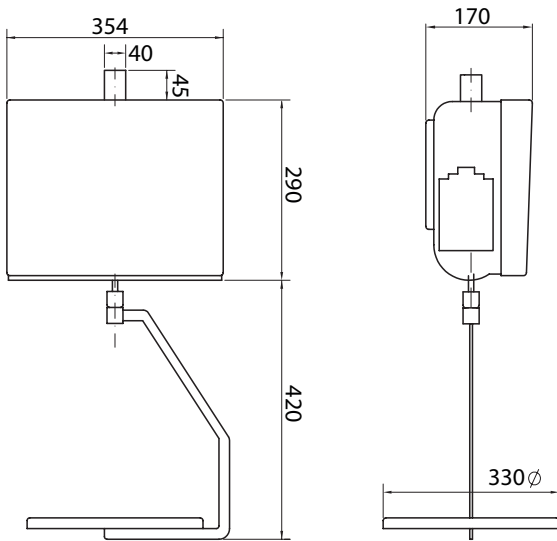
Impresora térmica de 60mm



TouchScale 221, supermarket PC scale

The TOUCHSCALE 221, with its stainless steel housing and large 15" display, is the ideal choice for counter work in all types of food shops and retail outlets.

Dimensions



Options

Hanging scale options	REFERENCE	PVP
WIFI	000119085839	86€
Telescopic hanging scale kit	000013989109	52€
360° scale bushing	000571210714	15€
Hanging scales scanner kit	000013989101	189€



Capacities

References

CAPACITIES (Linux)	REFERENCE	PVP
15kg /5gr	000X13995417	2.420€

CAPACITIES (Windows)	REFERENCE	PVP
15kg /5gr	000X13995418	2.609€

Technical Data

Software & Functionalities

- » Ubuntu Linux O.S. Available on Windows
- » Unlimited programmable data
- » Invoicing module
- » Tariff management, price per tranche and customer loyalty system.
- » Sales reports and data listings.
- » Intuitive and highly accessible menus
- » Installation wizard
- » Ticket dispenser management system (dispensers and display screens).
- » Connection with NAUTILUS Cloud software
- » Device integration (smart drawers, shifts, payment gateways, Godex labeller) Webserver: for programming and data consultation.
- » Remote shop management: Hydra-Touch, Desktop, App PC Scale Connect (Android).
- » Task scheduler: Backup, export, update, shutdown.
- » Remote and automatic software updates
- » ENCASE: Label, ticket and card design software.
- » Fully configurable print formats: ticket, label, variable length label, linerless.
- » FTP Server.
- » Remote maintenance with market standard tools.

Hardware

- » Microproc. Intel Celeron
- » DDR III RAM (2 GB)
- » SSD storage
- » Ethernet communication (Wi-Fi option)
- » Metrological shielding
- » Spare parts common to all PC range models
- » Additional screen option for displaying advertising and shifts

COMPATIBLE WITH

NAUTILUS

The ultimate digital tool to control your business

Software for the management and control of PC range scales based on WEB TECHNOLOGY. It allows the scales to be managed remotely through a web browser with internet connection. In just a few steps you can have your scale system connected to the cloud and perfectly operational.



ETAG EPELSA

Electronic price tag holders

Technological solution for price management in your business. ETAG EPELSA electronic price tags reduce paper and waste, are economical and provide instant updates for high price turnover. Your shop will make a quality leap in price management, forgetting the tedious task of changing prices manually every day.



EASY SHOP

The hyper-connected supermarket

Easy Shop transforms supermarkets into hyper-connected and technological spaces by using PC scales that form an interconnected and self-managed network. With the high quality Screen Easy Q shift display and advertising and the Easy Q shift ticket dispenser connected directly to the PC scale, Easy Shop revolutionises the shopping experience by offering efficiency and simplicity for users.

