



RANGE
BASIC

SCALE

SOLO PESO INOX

A new design to revolutionise the retail and industrial sectors. Robust and versatile, with new LED display, improved hardware, USB port and CE approval.



New look
Stainless steel
LED display
5 keys
PC & POS connection
USB & RS-232

Rugged weighing equipment ideal for difficult environments (bakeries, etc.).

Model
SOLO PESO INOX
Multiple capacities

CERTIFIED BY GRUPO EPELSA SLU



grupoepelsa.com



SCALE

Solo Peso INOX



NEW SOLO PESO

The SOLO PESO RE-STYLING scale has arrived to revolutionise the retail and industrial sectors. This versatile scale offers robust weighing equipment designed to excel in even the toughest environments.

With its new LED display, weight readings are clearer than ever. In addition, its hardware has been renewed with the innovative VIPOUT Box, and to the usual RS-232 communications is added a USB port for both power and data.

The SOLO PESO INOX scale is CE approved and guarantees the quality and safety you need in your weighing operations.



LED display and 5-key keypad

Characteristics

Type	Solo Peso Scale
Material	Made of stainless steel
Installation	Counter
Display	LED (Solo peso Mode / PPI)
Keyboard	5 buttons
Connections	RS-232 output for connection to PC or POS. USB connection (both for power supply and data)
Capacities	3 kg / 1 gr 6 kg / 1 gr 6 kg / 2 gr 12 kg / 2 gr 15 kg / 5 gr 30 kg / 5 gr 30 kg / 10 gr Multi-intervalo 6-15 kg / 2-5 gr Multi-intervalo 15-30 kg / 5-10 gr
Others	VIP-OUT box Power supply with external power supply. Voltage 5 to 12 V. Power consumption 10 W. Power supply Cell 5 V.
Dimensions	360 x 397 x 125.5 mm (length / depth / height) Packing dimensions: 52 x 41 x 26 cm

General information

With its robust aesthetics similar to the previous SOLO PESO INOX and a stainless steel finish, it has a 36 x 24.5 x 2 cm plate, LCD display and 5-key keypad.

- Class III - 3000 Divisions.
- Stainless steel casing
- Central support load cell.
- LED type indicator.
- Keys: ON/OFF, Tare, tare fixation and manual zero.
- Weighing: The weight of the load deposited on the plate is instantly shown on the display.
- It has numerous protocols to communicate with TPVs or ECRs of different brands.
- Quick and easy connection.
- USB connection (both for power supply and data).
- RS-232 output (for both power supply and data).
- No data storage.



Possible uses

The SOLO PESO scale, with its rugged stainless steel housing, is the ideal choice for challenging environments such as bakeries and similar businesses. Its robust design makes it perfect for withstanding dirt, dust and humid environments, ensuring consistent accuracy in adverse conditions.



VIP-OUT box



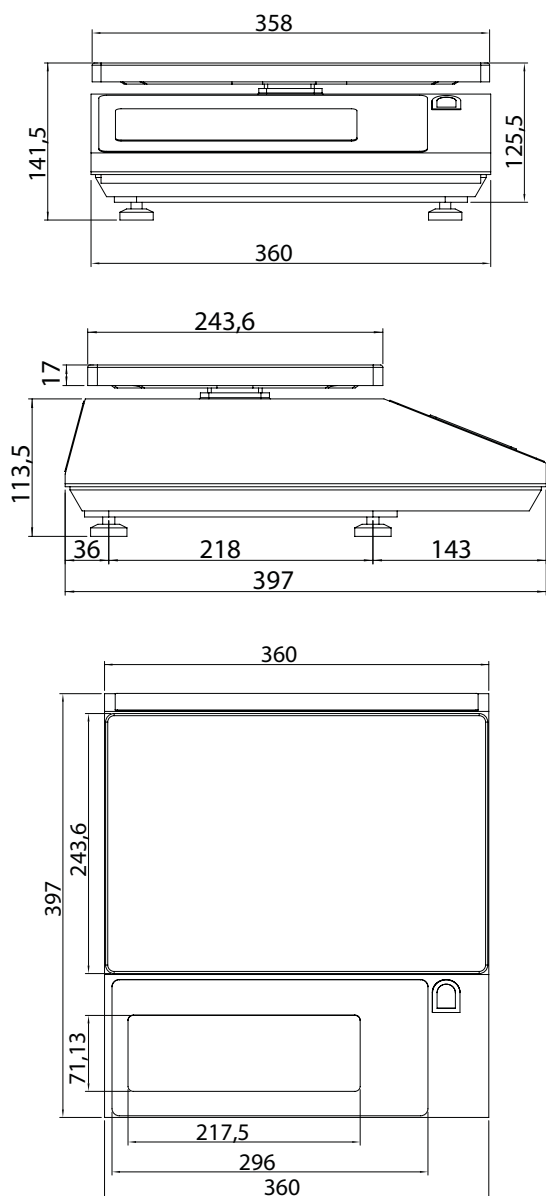
USB and RS-232 port



Height regulation



Technical drawings



Capacities References

CAPACITIES	REFERENCE
3Kg / 1gr	000013980494M3
6 kg / 1 gr	000013980494S6
6 kg / 2 gr	000013980494M6
12 kg / 2 gr	000013980494S12
15 kg / 5 gr	000013980494M15
30 kg / 5 gr	000013980494S30
30 kg / 10 gr	000013980494M30
Multi-intervalo 6-15 kg / 2-5 gr	000013980494B15
Multi-intervalo 15-30 kg / 5-10 gr	000013980494B30



Technical drawing

Communications

Possibility to send the weight to the PC in different ways:

- By request from the POS (wide number of protocols).

- By request from the PC.

- Manually.

- Automatically.

- Speed: 1200,2400,4800,9600,19200, 38400, 57600 or 115200 Baud.

- Number of BITS: 7 and 8

- Parity: PAR, IMP, OFF

The communication parameters with POS are configurable, consult the manual of your POS to adapt these parameters correctly.

Electronic

POWER SUPPLY WITH EXTERNAL POWER SUPPLY:

Voltage 5 to 12 V

Power consumption 10 W

CELL POWER SUPPLY

Voltage 5 V

ANALOGUE/DIGITAL CONVERSION

Resolution up to 6,000 divisions

THERMAL STABILITY

Shielding against radio frequency and voltage variations (Certification against EN45501:2015):

- Indicator ONLY WEIGHT or PPI.

- Load cell.

Protocols

COMMUNICATION PROTOCOLS

Dollar \$ protocol, standard communication, with the following functions:

Scale reset

Weight request

Autozero request

Box opening

Manual weight transmission: the weight can be sent to the computer, without a request from the computer.

Automatic transmission: If the TAP parameter in the installation menu has a value other than 0, the scale will constantly send the weight to the computer.

POS protocol. The scale itself incorporates the following protocols:

- IBM (Pos System 4683, 4684 and 4696).

- SIEMENS/NIXDORF (Beetl Series)

- ICL

- BULL (Brises Series)

- HUGIN SWEDA (TPV 5462)

- SHARP ER (Checkout-06)

- TEC S1 21

TISA Protocol

IP3 or CASIO Protocol

(also known as BERKEL)

Checkout Dialog 06 protocol

IBM protocol

UNIWELL Protocol

Protocol Checkout Dialog 03

Samsung 6500 Protocol

ELZAB Protocol

Vectron Protocol

Protocol ECR1 / SH457P / Barcode

Simulation and Weight Sending

Protocol Quorion / ECR7

Protocol S100 / S100A

PPI Shipping Protocol

Equivalences to other protocols:

TPV 2B / Uniwell - W

TPV 3 / SHARP / CHECKOUT-06

POS 4 / BERKEL

TPV 5 / CHEKOUT-03

POS 7 / Samsung

POS 8 / Dcentro

POS 11 / MIPEL